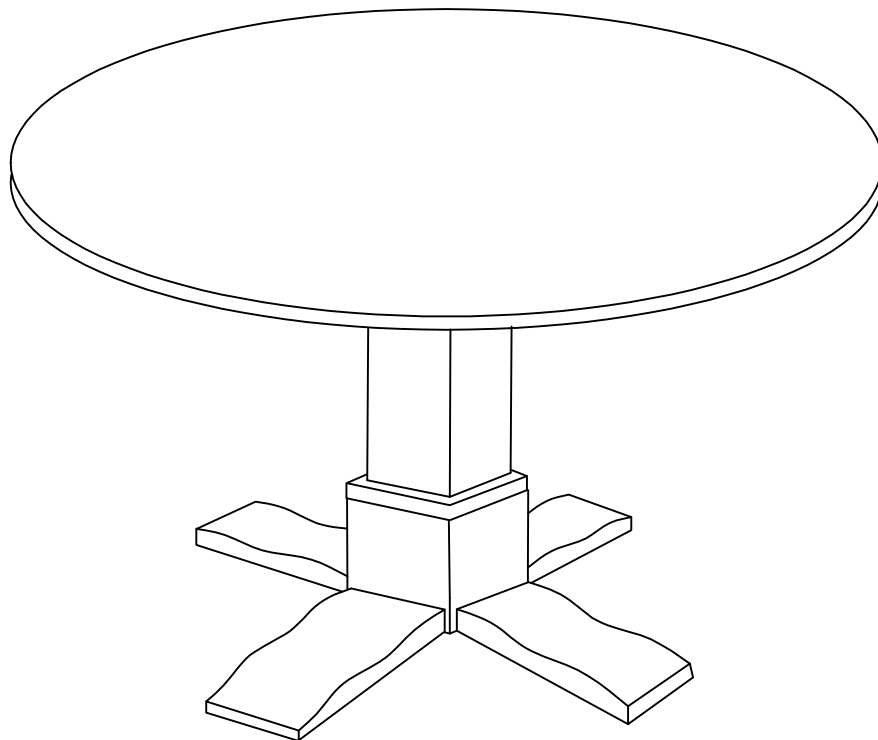
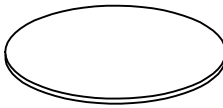

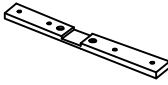





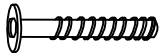
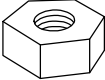
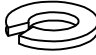


**Round Dining Table**  
**CF2012**


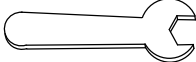



## PART LIST

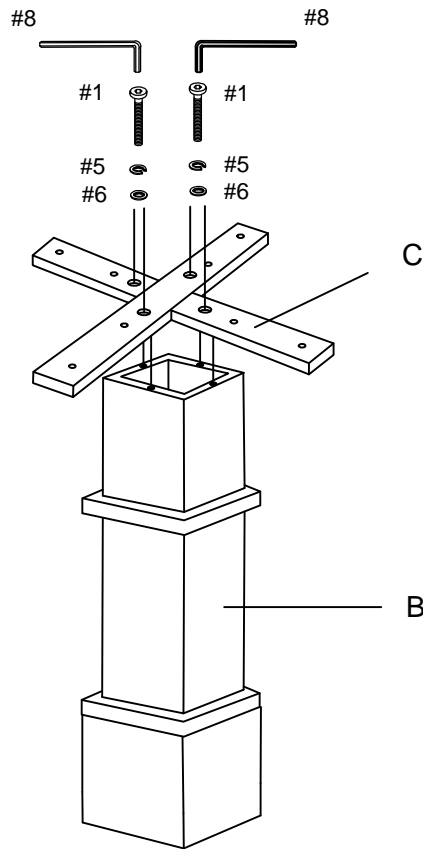
<p>A</p> 	<p>B</p> 	<p>C</p> 	<p>D</p> 
<p>Table Top 1 PC</p>	<p>Pedestal 1 PC</p>	<p>Top Rail 2 PCS</p>	<p>Leg 4 PCS</p>

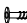



## HARDWARE LIST

<p>#1</p>  <p>M6 x 35mm</p>	<p>#2</p>  <p>5/16"</p>	<p>#3</p>  <p>5/16"</p>	<p>#4</p>  <p>5/16"x19"</p>	<p>#5</p>  <p>1/4"</p>
<p>Bolt 12 PCS (Extra 1)</p>	<p>Hex Nut 8 PCS (Extra 1)</p>	<p>Spring Washer 8 PCS (Extra 1)</p>	<p>Flat Washer 8 PCS (Extra 1)</p>	<p>Small Spring Washer 12 PCS (Extra 1)</p>

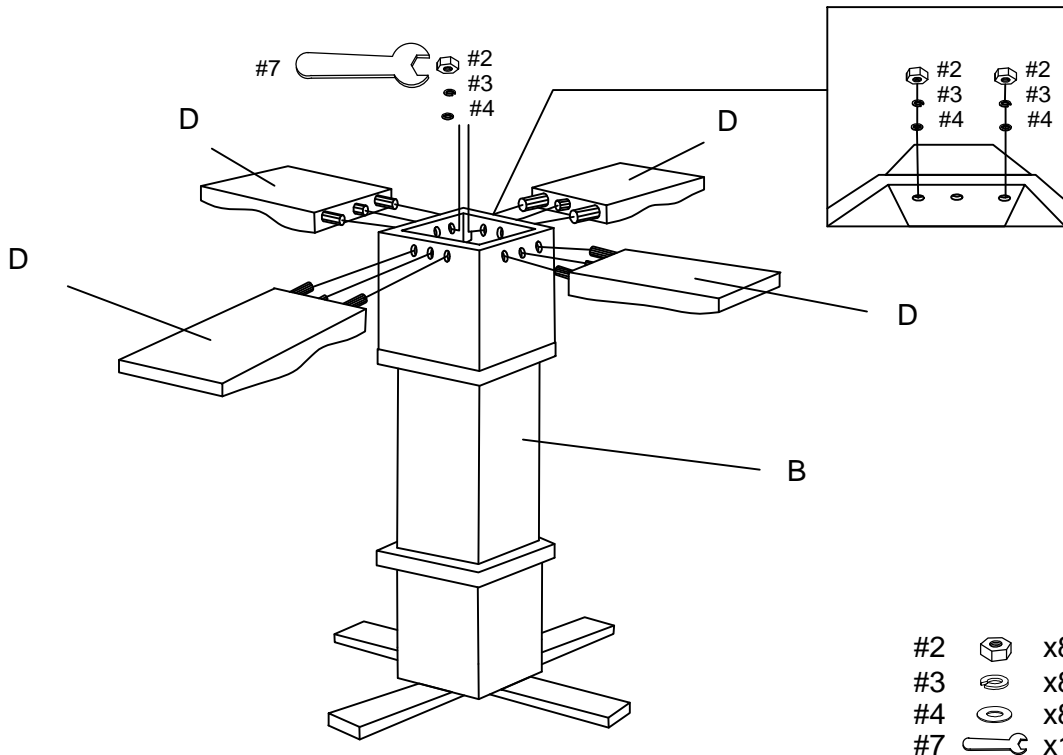
<p>#6</p>  <p>M6 x 13mm</p>	<p>#7</p>  <p>12.8mm</p>	<p>#8</p>  <p>M5</p>
<p>Small Flat Washer 12 PCS (Extra 1)</p>	<p>Wrench 1 PC</p>	<p>Allen Wrench 1 PC</p>





Step 1 . Attach top rails (parts C) to pedestal (part B) using small flat washers (part #6), small spring washers (part #5), bolts (part #1) and allen wrench (part #8).



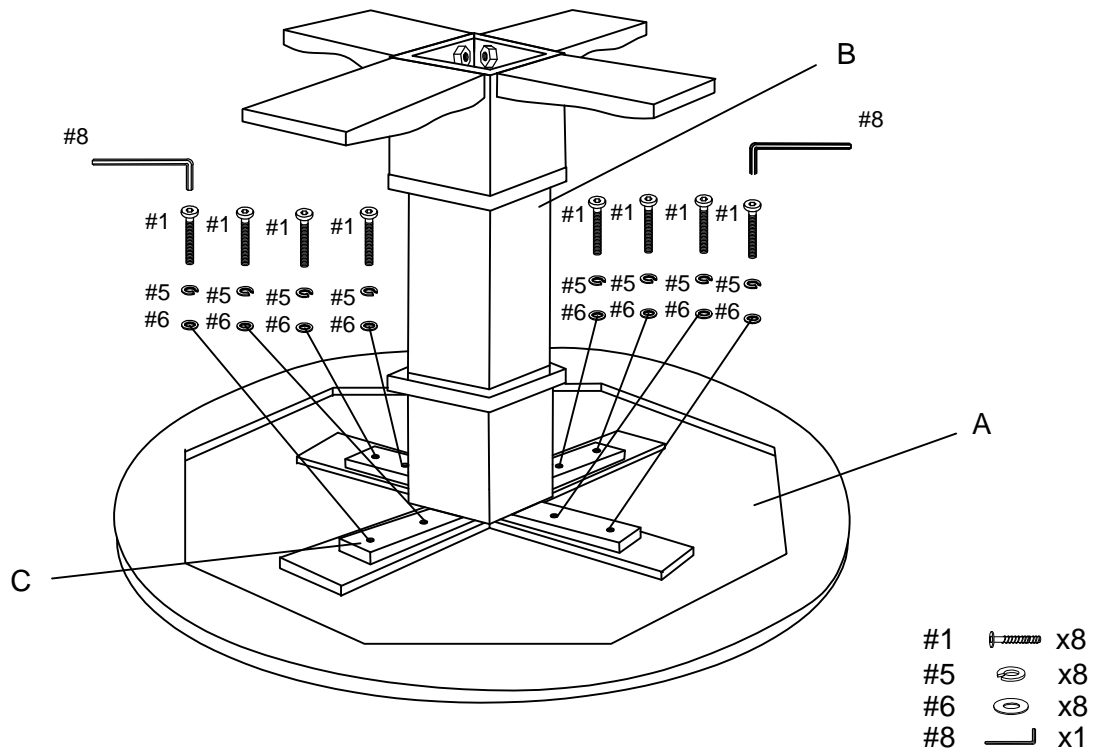
- #1  x4
- #5  x4
- #6  x4
- #8  x1

Step 2 . Attach legs (part D) to pedestal (part B) using flat washers (part #4), spring washers (part #3), hex nuts (part #2) and wrench (part #7).



- #2  x8
- #3  x8
- #4  x8
- #7  x1

Step 3 . Lay table top (part A) upside down on a soft flat surface, such as carpet. Attach top rails (part C) to table top (part A) using small flat washers (part #6), small spring washers (part #5), bolts (part #1) and allen wrench (part #8).



Step 4 . Carefully turn assembled unit upright.

